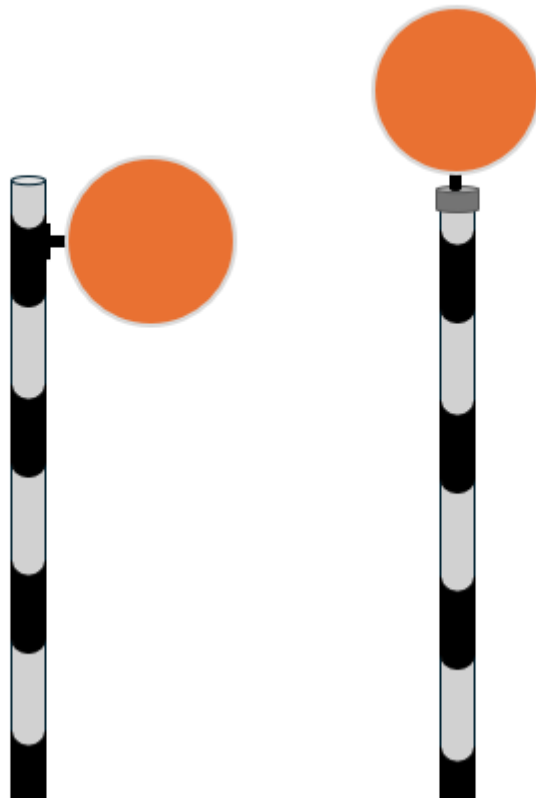




HTL LED PEDESTRIAN CROSSING BELISHA

Model: TL BELISHA

Installation Guide



Index

Introduction	3
Installation Instructions.....	3
Step 1: Prepare for Installation.....	3
Step 2: Positioning the Sign on the Pole (Top Mounted)	3
Step 3: Positioning the Sign on the Pole (Side Mounted)	3
Step 4: Wiring (Single Belisha with Single Power Supply)	3
Step 5: Wiring (Duel Belisha with Dual Power Supply).....	4
Step 6: Wiring (Three Belisha with Triple Power Supply)	4
Step 7: Final Connections and Powering Up.....	4
Installation View	5
Troubleshooting	5
Signs not Working	5

Introduction



Our LED Pedestrian Belisha Discs are internally illuminated to ensure a safe, evenly lit, and highly visible sign surface. The LED technology used has a lifespan of up to 50,000 hours. These discs comply with the TCD Rule 16-3 for Belisha Pedestrian Discs.

When not illuminated, the sign surface has a high-quality retro-reflective fluorescent orange finish, meeting the standards for a WU4 / PW-65 sign. This ensures excellent visibility in both day and night conditions.

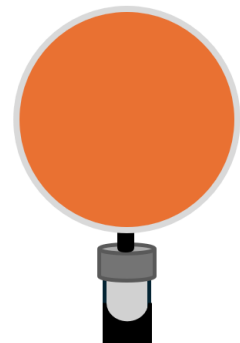
Installation Instructions

Step 1: Prepare for Installation

1. Lay out all components and verify that all necessary parts are included before starting the installation.

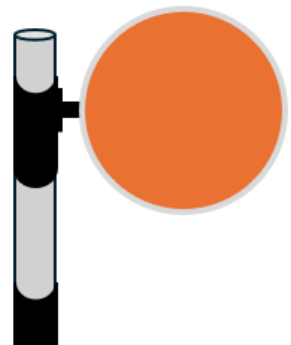
Step 2: Positioning the Sign on the Pole (Top Mounted)

1. Attach the top-mount bracket securely to the pole using Tec screws. The bracket fits 76mm diameter pedestrian poles.
2. Connect the female bracket on the Belisha beacon to the male adapter on the top mount.
3. Thread the cable through the hole in the bracket and run it down the inside of the pole to the roadside cabinet housing the power supply and flasher.



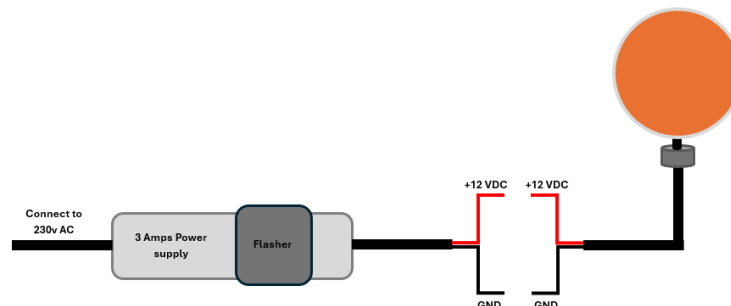
Step 3: Positioning the Sign on the Pole (Side Mounted)

1. Secure the side-mount bracket at the desired height on the pole using appropriate fixings.
2. Drill a hole for the cable to pass through.
3. Attach the female bracket on the Belisha beacon to the male adapter on the side mount.
4. Ensure the cable is routed through the bracket and down the pole to the roadside cabinet.



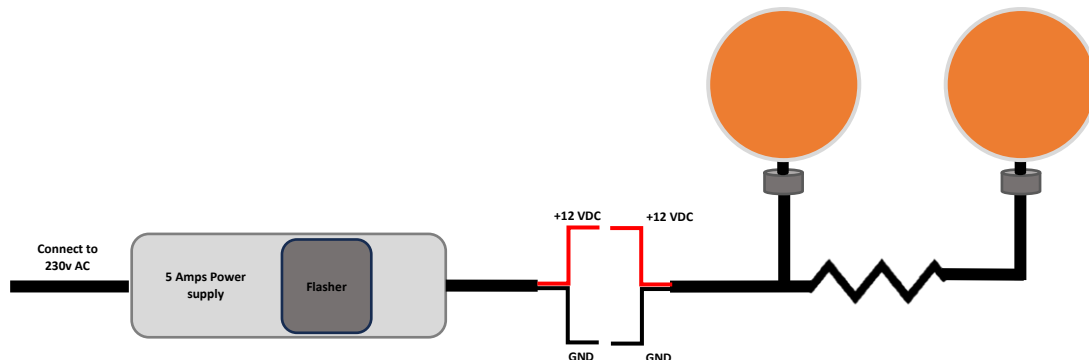
Step 4: Wiring (Single Belisha with Single Power Supply)

1. Connect the red positive cable from the Belisha to the positive terminal of the power supply/flasher.
2. Connect the black cable from the Belisha to the negative terminal.
3. Use the provided cable to connect the power supply to the 230V AC mains..



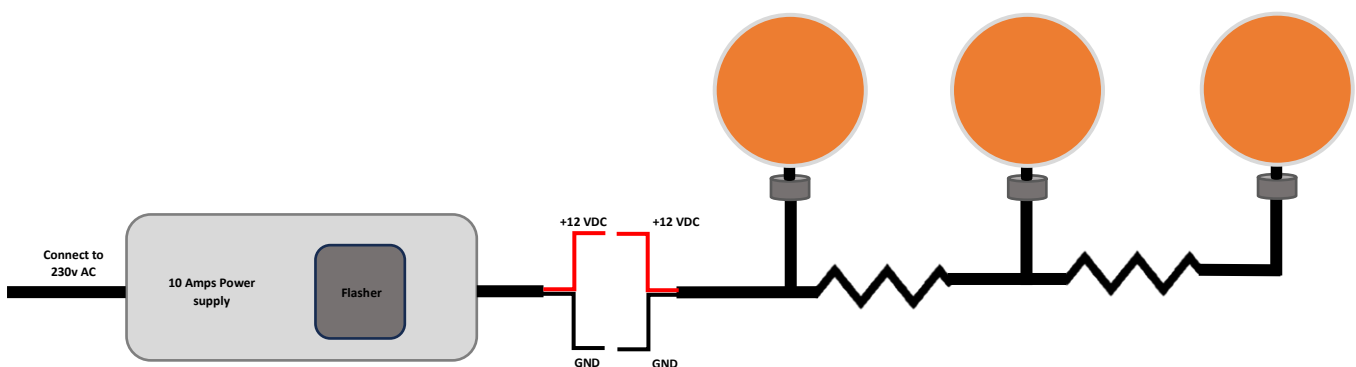
Step 5: Wiring (Duel Belisha with Dual Power Supply)

1. Connect both red positive cables from the Belisha beacons to the positive terminal of the power supply/flasher.
2. Connect both black cables from the Belisha beacons to the negative terminal.
3. Connect the power supply to the 230V AC mains.



Step 6: Wiring (Three Belisha with Triple Power Supply)

1. Connect the red positive cables from all three Belisha beacons to the positive terminal of the power supply/flasher.
2. Connect the black cables from the beacons to the negative terminal.
3. Connect the power supply to the 230V AC mains.

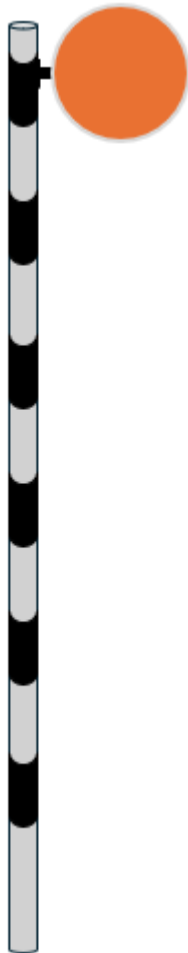


Step 7: Final Connections and Powering Up

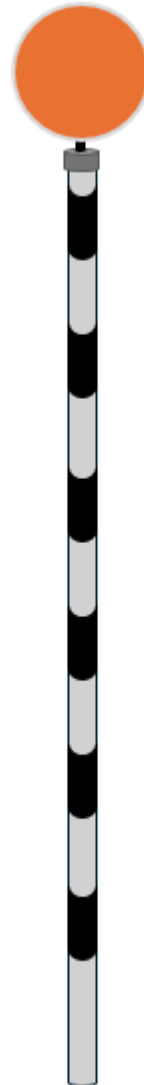
1. After ensuring all connections are secure, switch on the mains power.
2. The Belisha beacons should now flash in sync.

Please note: It's important to follow all safety guidelines and instructions provided with the equipment during the installation process.

Installation View



Side Mounted View



Top Mounted View

Troubleshooting

Belisha not Working

- **Check Power Supply:** Ensure the power supply is connected to a working 230V AC outlet.
- **Inspect Wiring:** Verify that the positive (red) and negative (black) cables are correctly connected to the power supply.
- **Test Connections:** Ensure all connections are secure and there are no loose cables.
- **Flasher Module:** Verify that the flasher module is functioning properly.
- **Test Components:** If you have a multimeter, check for continuity across the cables and terminals to ensure proper electrical flow.

If the issue persists after following these steps, please contact Harding Traffic for further assistance at 0800 427 346.